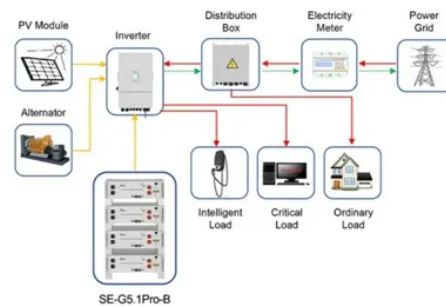




Benin energy storage for microgrids



Application scenarios of energy storage battery products

Overview

With 65% of Benin's population lacking stable electricity access, this initiative combines lithium-ion battery systems with solar farms to tackle energy poverty. Imagine it as a "power bank" for entire communities – storing sunlight during the day and releasing it when needed most. A microgrid is a group of interconnected loads and distributed energy resources that acts as a single controllable entity with respect to the Cegasa High Energy Storage System for a mini hybrid photovoltaic solar power plant built by SAGEMCOM Energy & Telecom / Sahel Energie Solaire / AEP, for. A new company aiming to deploy off-grid renewable energy solutions in the African country of Benin will carry out €8. This article explores how manufacturers are shaping West Africa's renewable energy Benin's energy sector is undergoing a. With rising demand for reliable electricity and growing investments in solar power, lithium battery energy storage systems (LiBESS) have emerged This innovative solution highlights the importance of an integrated approach to address the challenges of the energy transition and universal access to. This paper discusses the charging of plug-in hybrid electric vehicles (PHEVs) in an existing office building microgrid equipped with a photovoltaic (PV) system and a combined heat and power (CHP) unit.



Article Content

Financing closed for Benin solar-battery ...

They will start by working on rural electrification projects in 12 localities, aiming to install 1.7MW of solar PV and 3MWh of battery storage ...

Benin building microgrid

The Universal Energy Facility (UEF) has signed a funding agreement with a Benin-based energy developer to support the construction of three solar mini-grids in the Sinlita, Gbowele and Don ...

Benin Local Energy Storage Power Supply Solutions for a Sustainable ...

As this West African nation pushes toward renewable energy adoption, local energy storage power supply solutions are becoming the missing puzzle piece. Let's explore how cutting-edge storage ...

Benin Energy Storage Microgrid

The project deployed a solar-integrated pilot microgrid at the Songhai agroecological center in Benin to address key challenges, including load profile estimation, energy balancing, and diesel dependency ...

Why Benin is Turning to Lithium Battery Energy Storage Systems for ...

Benin's energy sector is undergoing a transformation. With rising demand for reliable electricity and growing investments in solar power, lithium battery energy storage systems (LiBESS) have emerged ...

Benin solar project energy storage

Professional provider of containerized energy storage systems, microgrid solutions, distributed storage cabinets, liquid-cooled energy storage, and industrial energy storage solutions across Africa.

CEI Africa Backs Solar Mini-Grids in Benin with \$2.9 Million Blended ...

The funds will be used to develop nine solar mini-grids in rural parts of Benin, where access to reliable electricity remains limited. Once completed, the mini-grids will have a combined ...

Analysis of public policies in the Republic of Benin to encourage the ...

The objective of this paper is to assess the current energy scenario in Benin and to analyze the policies, strategies and challenges for the development of renewables in the country.

Benin Energy Storage Project Starts Powering Sustainable Development

The Benin energy storage project starts marks a turning point for West Africa's renewable energy landscape. With 65% of Benin's population lacking stable electricity access, this initiative combines ...

Contact Us

For more information, pricing, or custom solutions, please contact us:

Website: <https://www.lup.edu.pl>

Email: info@lup.edu.pl

Phone: +48 512 478 936

Address: ul. Marszałkowska 10, 00-001 Warsaw, Poland

This document is for informational purposes only. Specifications subject to change without notice.

