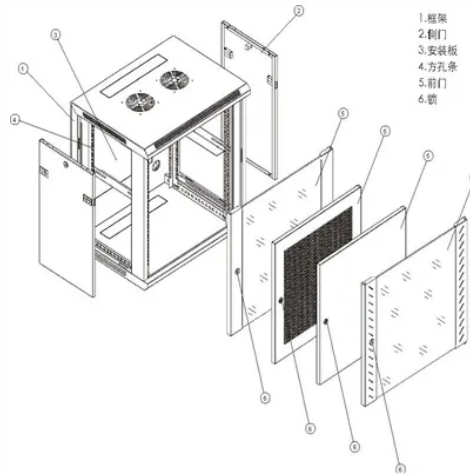




Approval steps for building a communication base station inverter



Overview

The guidelines in this document provide insights into the distinct phases of commissioning an IBR facility from the perspective of a Transmission Owner (TO) or Transmission Operator (TOP), from construction through commercial operation, with a focus on utility activities. Taking the post, the comments, some help from ChatGPT, here is a detailed process of planning, constructing, and commissioning a mobile network site. If you have an experience in this area, feel free to chip-in. Perform deployment and commissioning according to the quick setting process. The cabinet houses critical components like main base station equipment, transmission equipment, power supply systems, and battery banks. Meanwhile, the pole serves as a mounting point for antennas, Remote Radio Units (RRUs), and. Most wireless licensees are required to construct their authorized system or meet specific coverage requirements within a given time period and to notify the Commission that the requirement was met. This construction/coverage time period varies depending on the radio service in which the license is. Santo Domingo 5G communication base station inverter solution What is 5G power & IEnergy?

Fully meet the requirements of rapid 5G deployment, smooth evolution, efficient The article discusses the costs associated with building and maintaining a communication base station, categorizing them into.

Article Content

Complete Guide to 5G Base Station Construction | Key Steps, ...

Explore how 5G base stations are built—from site planning and cabinet installation to power systems and cooling solutions. Learn the essential components, technologies, and challenges ...

Small Cells on Pole Facilities

Pre-approved antenna configurations and site layouts are other practices that can assist in streamlining the permitting process. Acceptable antenna attachment configurations should be shown for each ...

COMMUNICATION BASE STATION INVERTER APPLICATION

COMMUNICATION BASE STATION INVERTER APPLICATION. Our certified energy specialists provide round-the-clock monitoring and support for all installed home energy storage systems.

COMMUNICATION BASE STATION INVERTER INSTALLATION ...

The basic base station equipment for digital mobile communications systems consists of amplifiers (AMP) to amplify the transmission and reception signals to desired levels, modems (MDE) to convert ...

Planning, Constructing, and Commissioning a Mobile ...

Install a shelter or housing unit for network equipment, such as base stations, power supplies, and batteries. Set up the power system, which includes ...

Construction/Coverage Requirements

NotificationExtension RequestChecking Buildout Deadlines and Notification DatesChecking For Pending ApplicationsConstruction/coverage deadlines are printed on the FCC authorization license if issued by ULS. The buildout deadline and buildout notification dates can also be found using ULS License Search. The deadline is the date by which a licensee must meet the specific construction or coverage requirement. The buildout notification date is the date the lice...See more on fcc.gov

Searches you might like

ham radio base stationhow to get a cell tower on my propertyhow to boost cell phone signal in a buildingantenna installationglashaus.cc

The cost of building a communication base station inverter and ...

THE COST OF BUILDING A COMMUNICATION BASE STATION INVERTER The average battery capacity required by a base station ranges from 15 to 50 amp-hours (Ah), depending on the base ...

Best Practices for Inverter-Based Resource (IBR) Commissioning

Commissioning activities described in this document apply to IBR interconnections to networked and radial transmission level systems. The testing process presented in this document includes a Pre ...

Guidelines on Technical Specifications for the Installation of ...

The depth of the overlay, the base width and the number of pipes in a particular monopole shall be determined by expected height of a tower, the thickness of the pipe walls, the base diameter and ...

eCFR :: 47 CFR 1.6100 -

(1) Base station. A structure or equipment at a fixed location that enables Commission-licensed or authorized wireless communications between user equipment and a communications network.

Contact Us

For more information, pricing, or custom solutions, please contact us:

Website: <https://www.lup.edu.pl>

Email: info@lup.edu.pl

Phone: +48 512 478 936

Address: ul. Marszałkowska 10, 00-001 Warsaw, Poland

This document is for informational purposes only. Specifications subject to change without notice.

